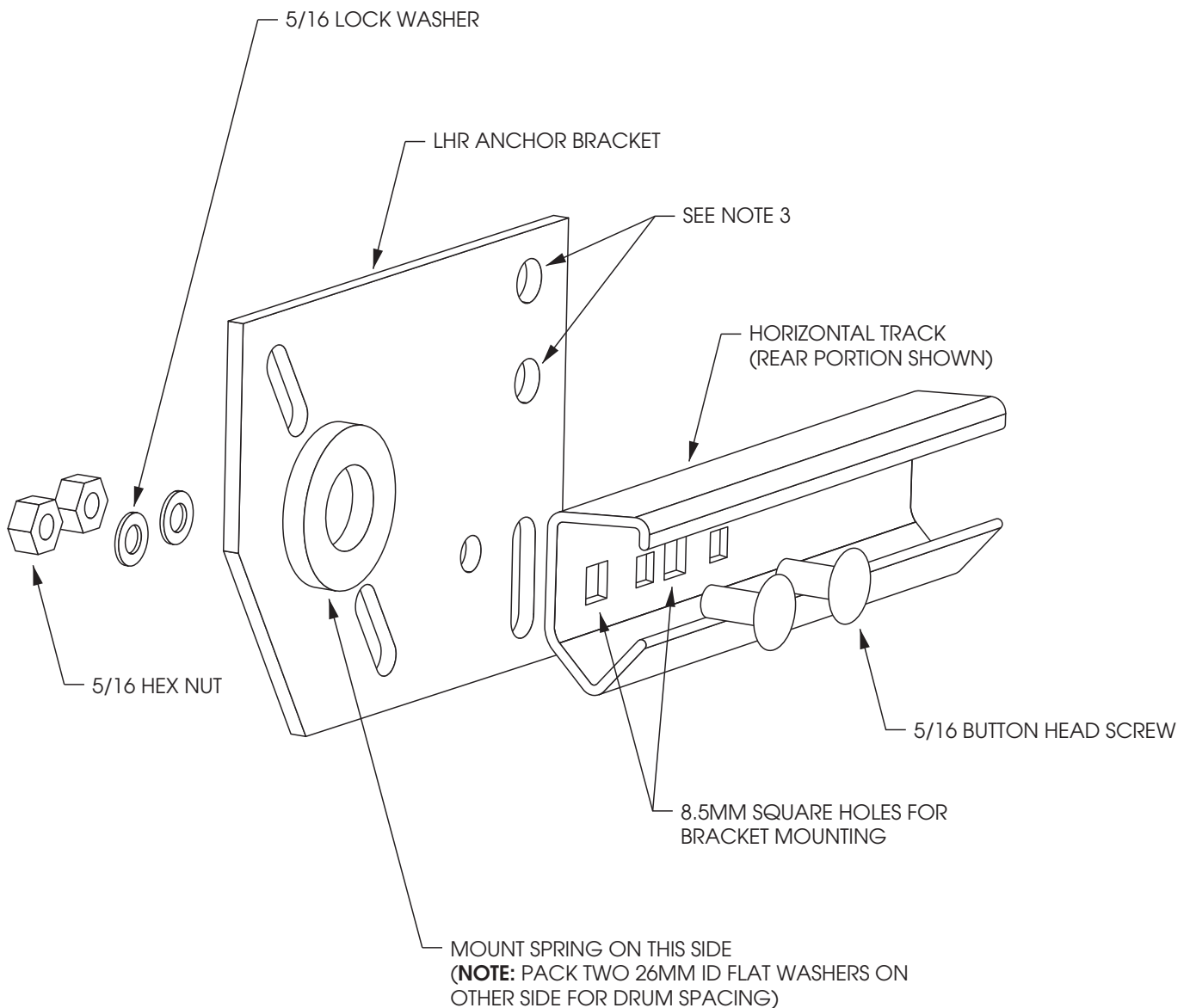


FTG/PFT/PFI Rear Torsion Bracket

installation instructions PART NO: OT4031/OT4032

installation steps

1. Mount LHR brackets on horizontal tracks as per diagram below.
2. Mount torsion bar, spring/s and cable drums as normal.



NOTE:

- (1) Left hand mounting shown only.
- (2) Use perforated angle lines to strengthen middle portion of horizontal tracks if door weight is over 100kg.
- (3) Extra holes provided on bracket for strengthening if door weight is over 120kg.