



Roll-A-Door®

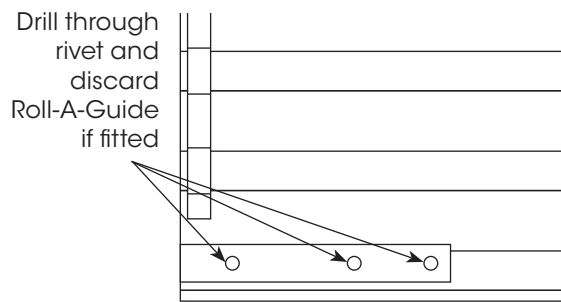
Series 1 - Padbolt Locking

installation instructions PART NO: 5696

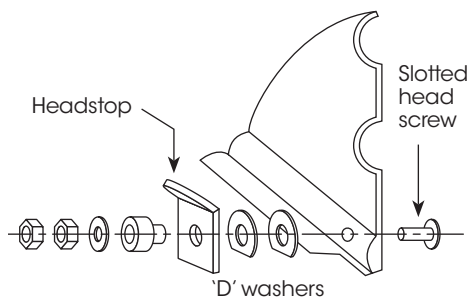
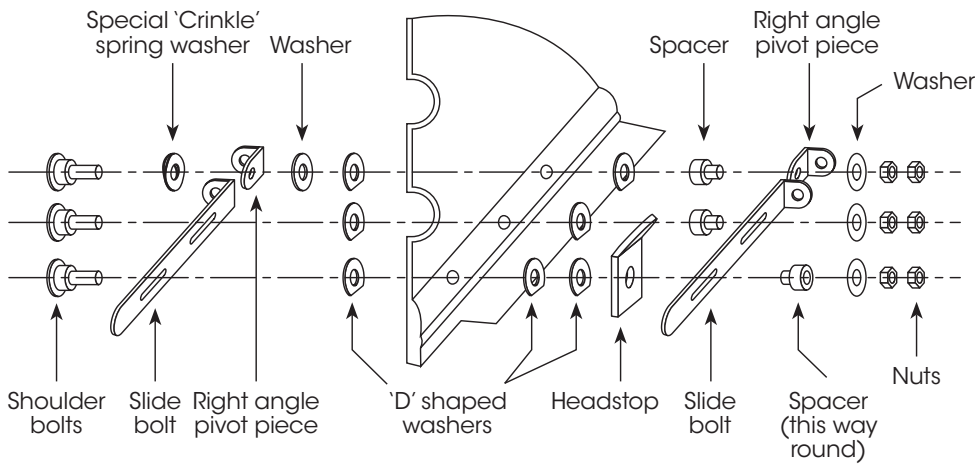
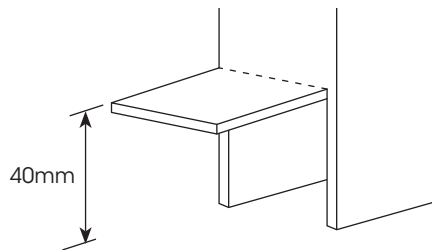
PADBOLT LOCKING CAN BE FITTED TO ONE OR BOTH SIDES OF THE DOOR.

installation steps

1. **NOTE:** If the door is fitted with Roll-A-Guide, drill through rivet and discard. Cut out and use the left hand or right hand template to drill the aluminium bottom rail of the door from the inside. Deburr holes as necessary.



- 2. Use a hacksaw, cut and fold the bottom of the guide as shown.
- 3. Assemble the locking device and headstop pieces to the door exactly as shown and tighten the nuts and lock nuts. **NOTE:** The special position of the headstop piece and spacer.



Opposite End of Door (if single slide bolt only used)

