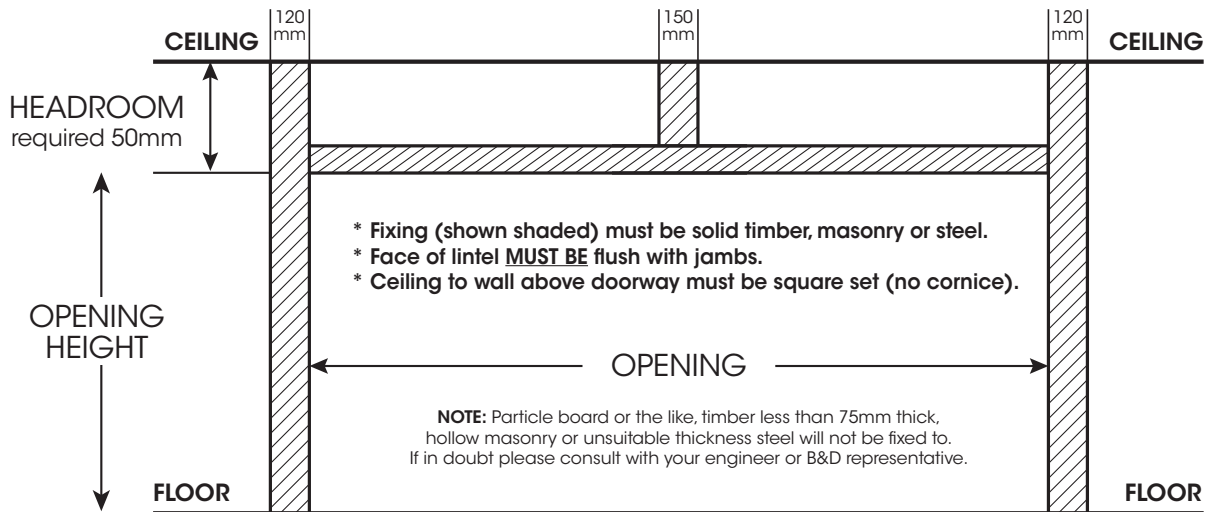




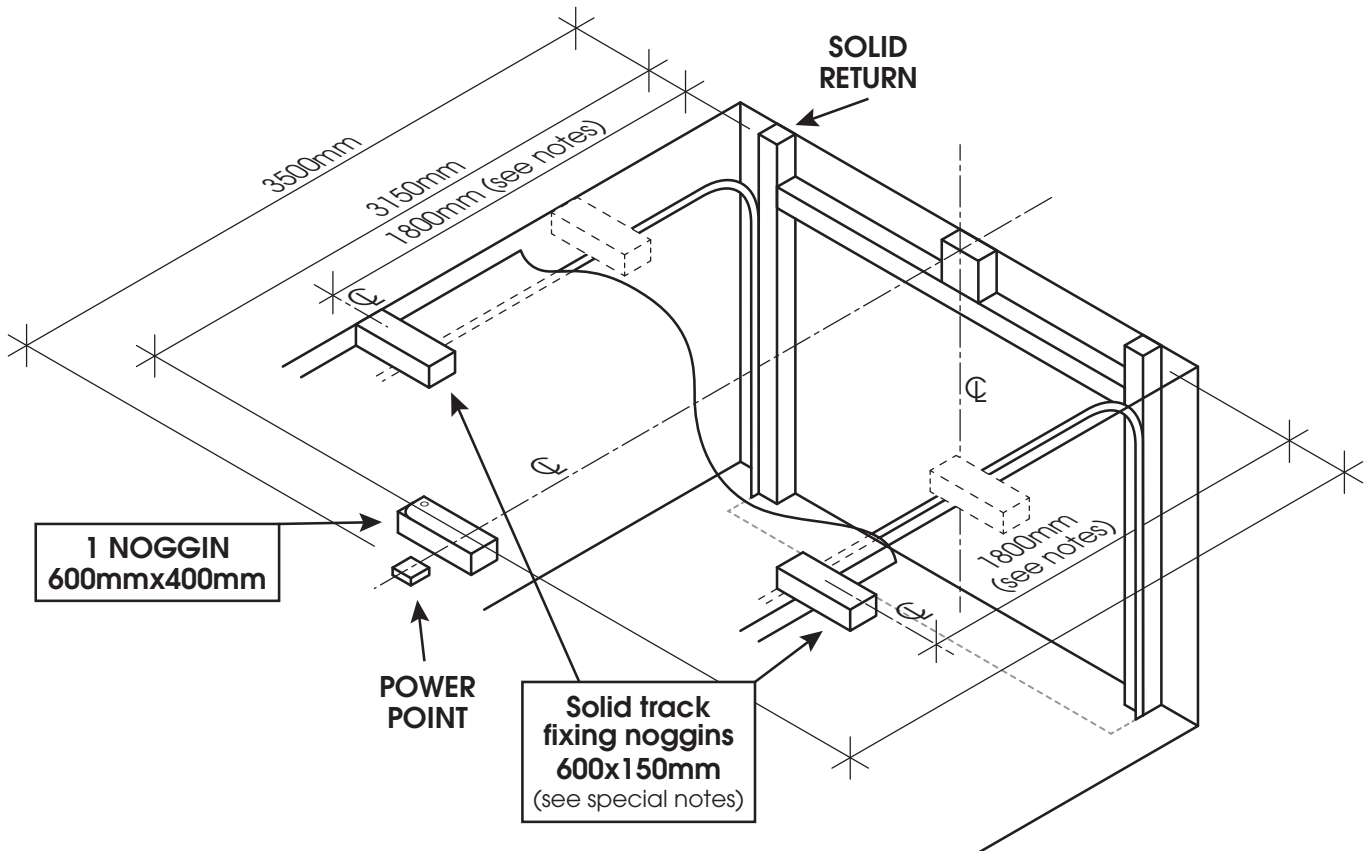
Flex-A-Door®

Structural fixing detail for door openings

Please follow diagrams for correct installation of doors up to:
2790mm high x 3100mm wide



If floor rebate is required it must extend at least 100mm more than the opening on each side and back from the fixing face at least 100mm (see below detail).



NOTES: Doors higher than 2230mm will require two additional fixings at 2400mm.

