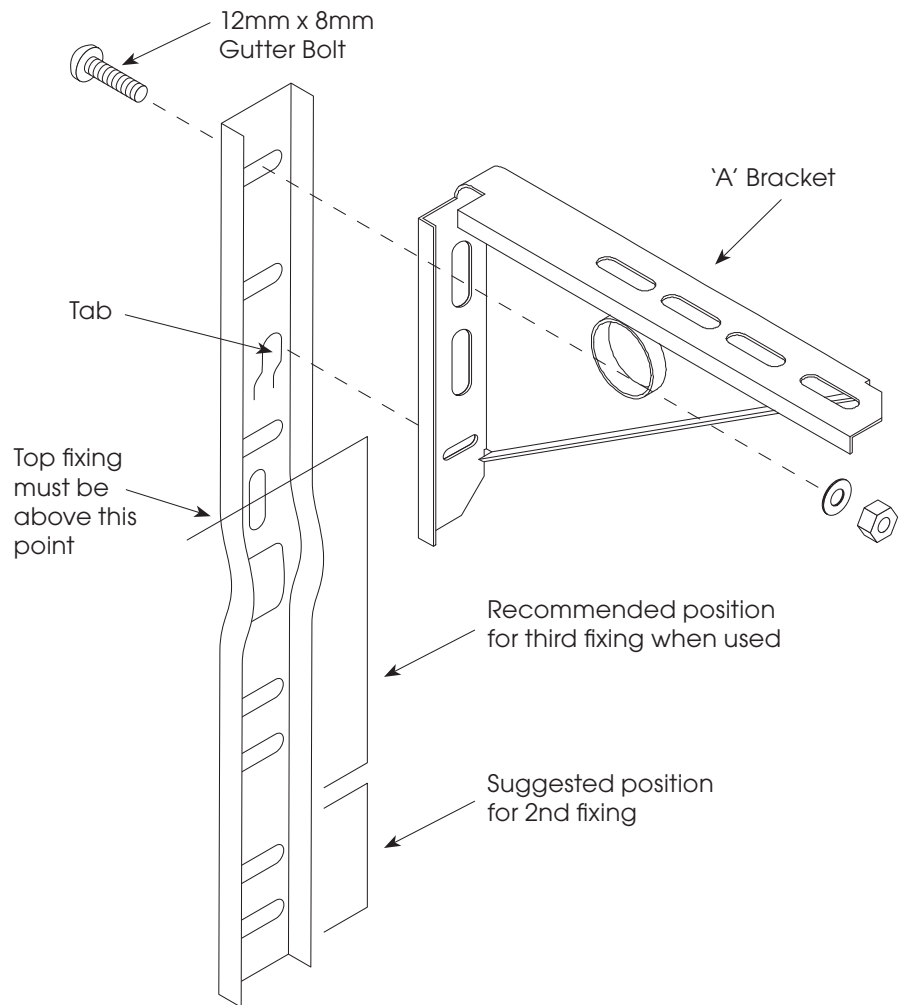


#### CHANNEL BRACKET LEG EXTENSION FOR USE WITH PRESSED METAL, TYPE 'A' BRACKETS.

### application

A2 extended brackets are for use where fixing is not available for the top hole position in the normal 'A' Bracket or where the strength of the material to be fixed into may be in doubt at this top hole position. The extension leg allows the bracket to be fastened into more acceptable material by utilising lower fixing positions.

**When using this bracket leg extension** the B&D Roll-A-Door® must be installed in the restricted headroom position\* unless 120mm of side room is available.  
\*(See installation instructions)



### assembly and installation

1. Assemble the bracket to the extension channel by locating the tab into the lowest bracket slot. Use the 12mm x 8mm diameter gutter bolt, nut and washer supplied and attach through the top bracket slot ensuring that the washer is used under the nut.
2. The bracket mounting positions can be marked out by following the directions and using the dimensions given in the installation instructions for the door.
3. When attaching the brackets the top fastener must be positioned in or above the one vertical slot in the bracket leg.
4. At least two fasteners are required as a minimum when attachment is into sound building materials. When this is the case the 2nd fastener should be fixed toward the bottom of the bracket.
5. For soft or old brickwork or where ideal fixing is not assured, three or more fasteners should be used and positioned as high as possible on the bracket.

**NOTE:** The correct washer must be used under the heads of all fasteners and the nut which attaches the bracket to the extension leg. A minimum fastener size of 10mm must be used to attach the bracket to the wall.