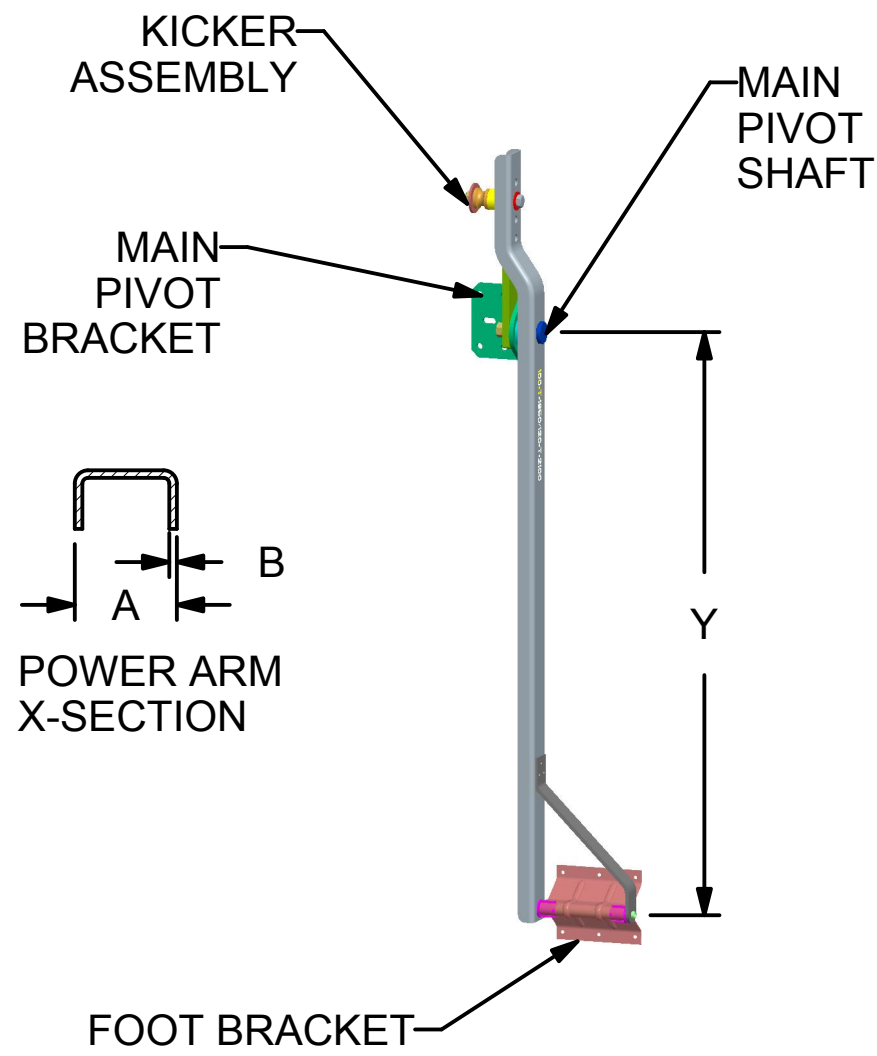
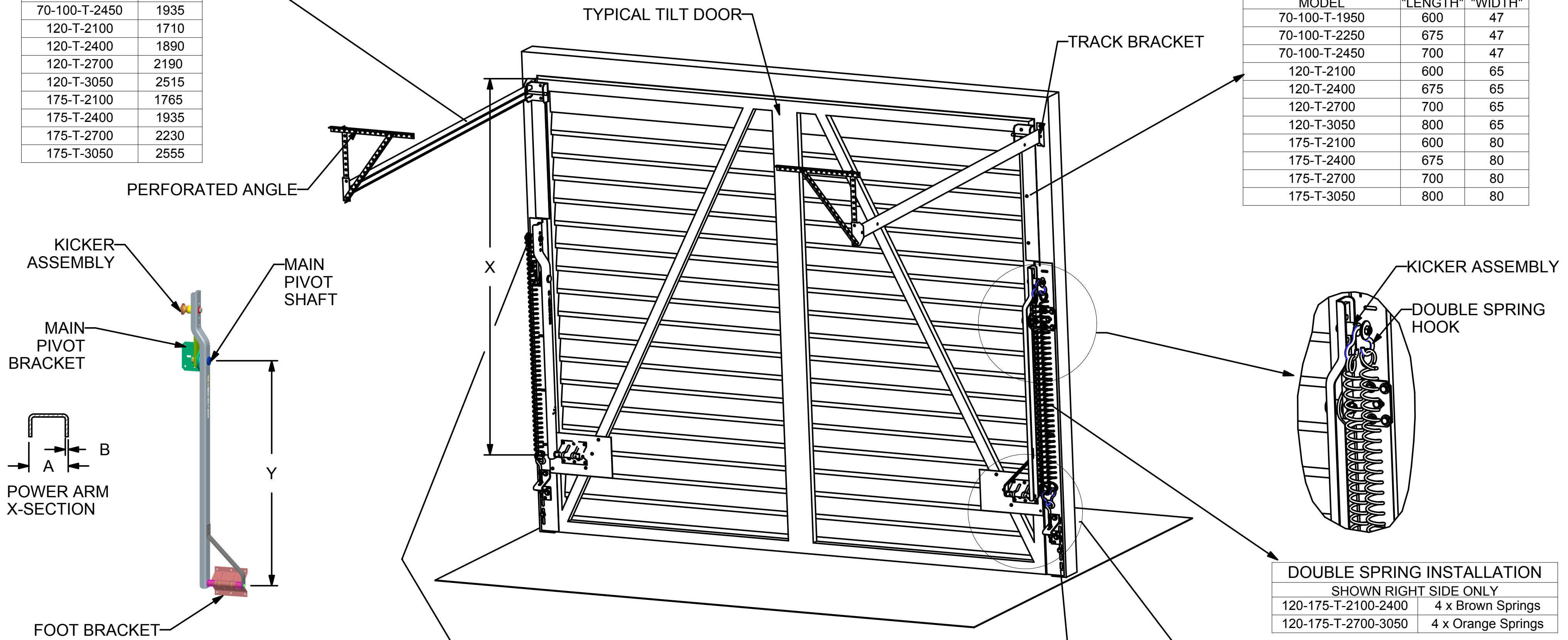


CUSTOMER SERVICE MANUAL (TRACK FITTING)

(B&D TRACK FITTINGS) P/N : 62964 ISSUE : 3
DATE : May 2010

TILT TRACK	
TRACK TYPE	LENGTH
70-100-T-1950	1710
70-100-T-2250	1890
70-100-T-2450	1935
120-T-2100	1710
120-T-2400	1890
120-T-2700	2190
120-T-3050	2515
175-T-2100	1765
175-T-2400	1935
175-T-2700	2230
175-T-3050	2555

TOP WEATHER STRIP		
MODEL	"LENGTH"	"WIDTH"
70-100-T-1950	600	47
70-100-T-2250	675	47
70-100-T-2450	700	47
120-T-2100	600	65
120-T-2400	675	65
120-T-2700	700	65
120-T-3050	800	65
175-T-2100	600	80
175-T-2400	675	80
175-T-2700	700	80
175-T-3050	800	80



DOUBLE SPRING INSTALLATION	
SHOWN RIGHT SIDE ONLY	
120-175-T-2100-2400	4 x Brown Springs
120-175-T-2700-3050	4 x Orange Springs

SINGLE SPRING INSTALLATION	
SHOWN LEFT SIDE ONLY	
70-100-T (All Models)	2 x Brown Springs

BOTTOM WEATHER STRIP	
MODEL	LENGTH
70-100-T-1950	1480
70-100-T-2250	1705
120-175-T-2100	1480
120-175-T-2400	1705
120-175-T-2700	1980
120-175-T-3050	2555

POWER ARM			REO PLATE POS. TO TOP OF DOOR	
MODEL	"Y"	"A"	"B"	"X"
70-T-1950	775	41	3	1673
70-T-2250	870	41	3	1843
70-T-2450	1020	41	3	2138
100-T-1950, 120-T-2100	775	47	4	1673
100-T-2150, 120-T-2400	870	47	4	1843
100-T-2450, 120-T-2700	1020	47	4	2138
120-T-3050	1170	47	4	2448
175-T-2100	775	52	4	1673
175-T-2400	870	52	4	1843
175-T-2700	1020	52	4	2138
175-T-3050	1170	52	4	2463

