

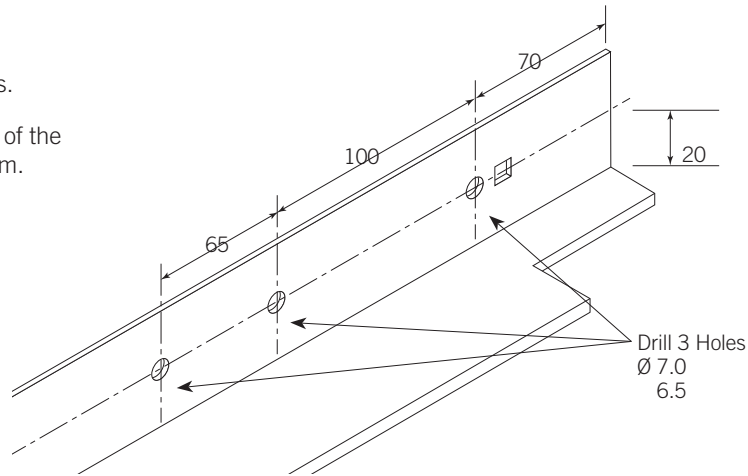


SERIES 2 ROLL-A-DOOR PADBOLT LOCKING INSTALLATION INSTRUCTIONS

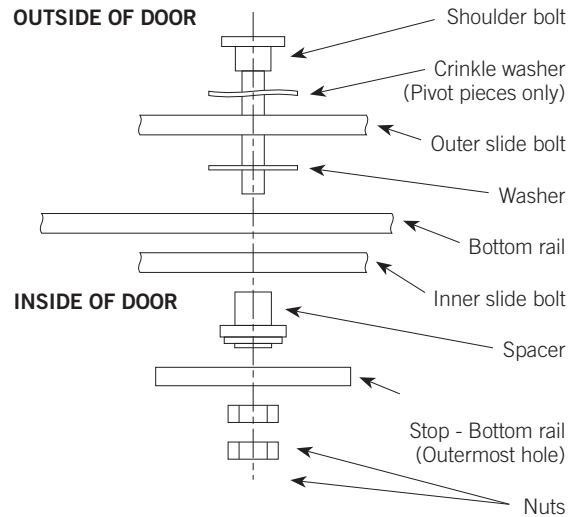
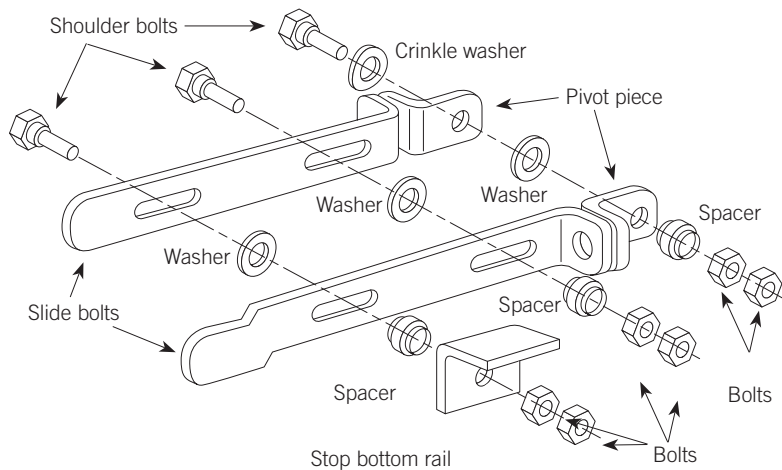
Part No. 006577

INSTALLATION STEPS

1. Remove the guide blocks.
2. Drill 3 holes in each end of the bottom rail as per diagram.



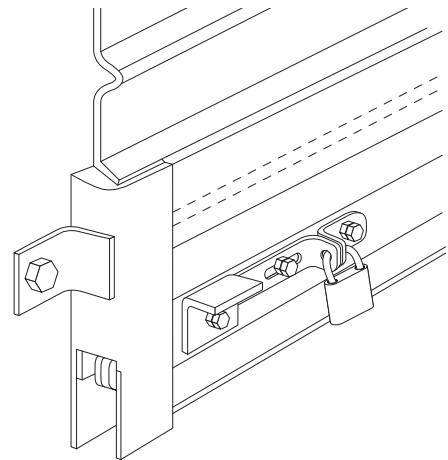
3. Assemble slide bolts as per diagrams.



4. Notch guides to accept slide bolts.

NOTE: Guide blocks are not fitted in this application.

The Bottom Rail Stop **must** be secured to the slide bolt as shown before the door is operated. Failure to do so will result in unrolling of the door causing damage.



DISCLAIMER

**THESE INSTRUCTIONS ARE INTENDED FOR PROFESSIONAL GARAGE DOOR INSTALLERS
and only apply to the fittings**

Note: All references are taken from inside looking out

