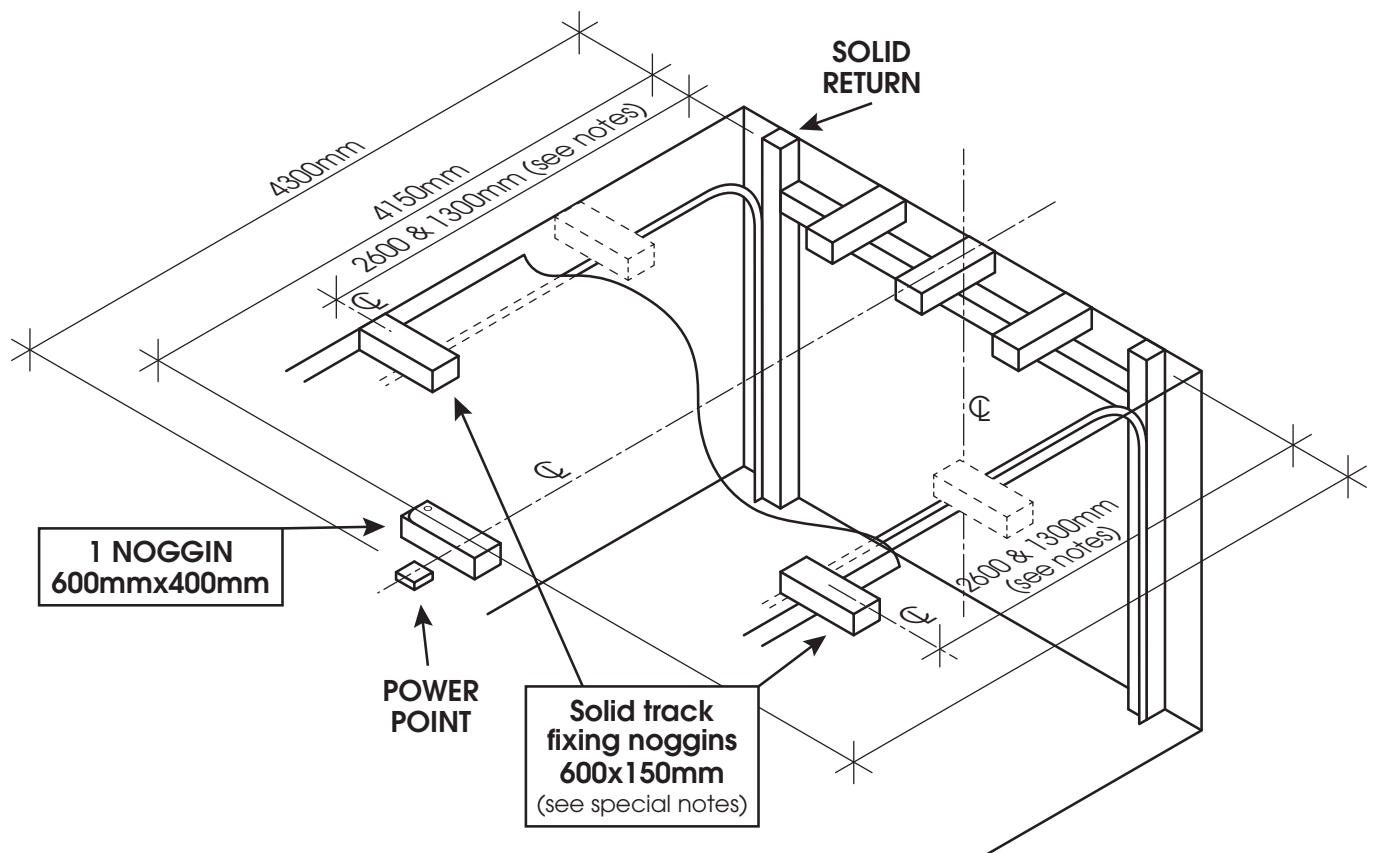
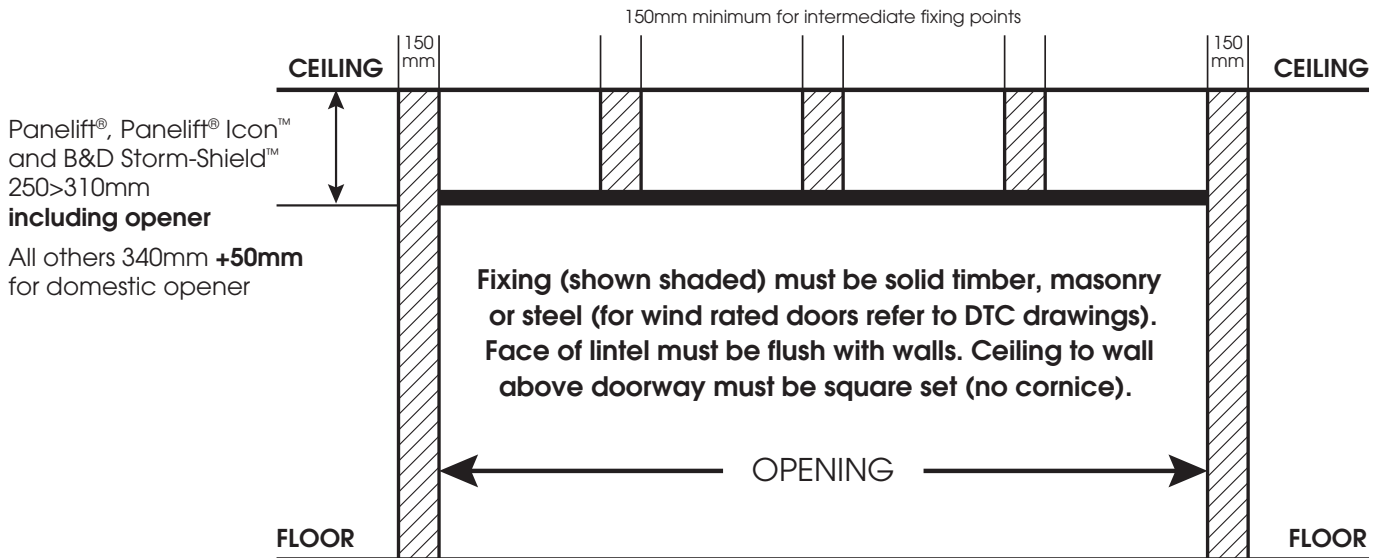


sectional door (page 2)

structural fixing detail (WA)

For all B&D Sectional overhead doors over 2405mm high up to 3190mm high.
For higher or non standard doors consult your B&D representative.

Please follow diagram for correct installation



NOTES: Doors higher than 2405mm high up to 3190mm high and all wind rated, insulated or special P7D doors will require two intermediate fixings at 1300mm.