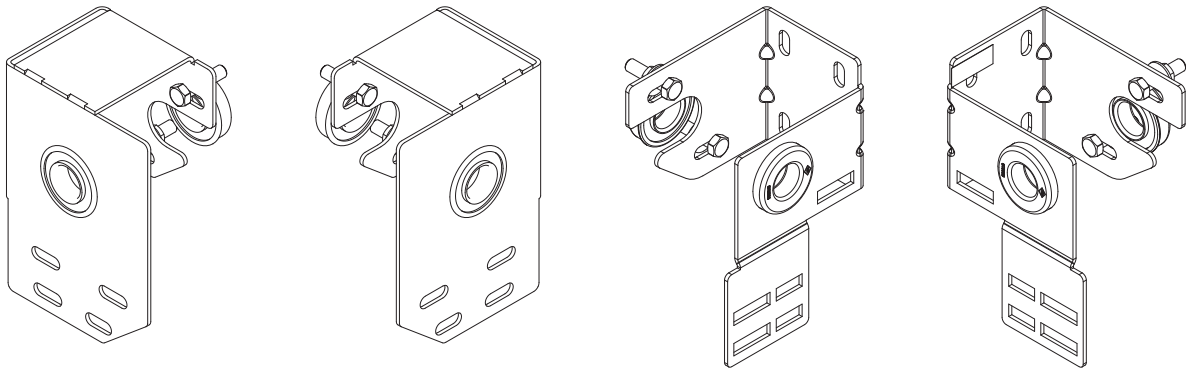


Combo/Spring Anchor Bracket

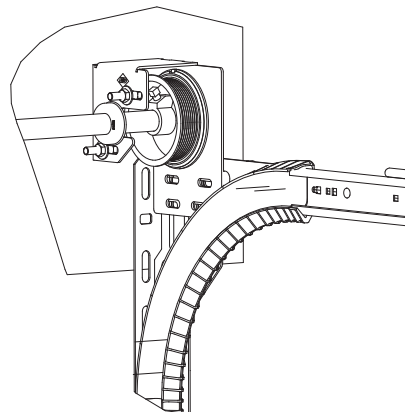
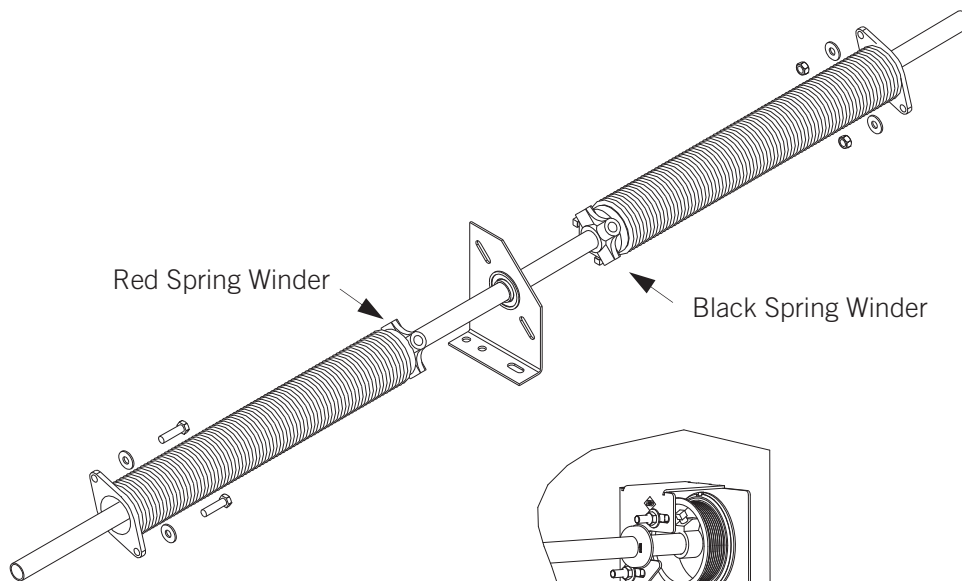
installation instructions

PART NO: 0T2449

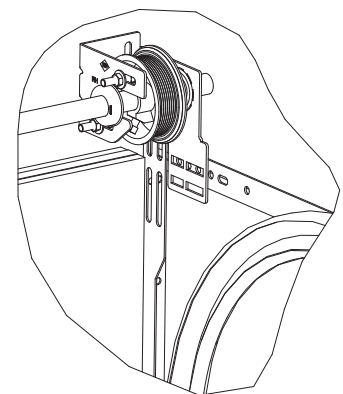
0T4582-83 (Panelift® PPF) and 0T3295-96 (Panelmasta® PMT)



1. These brackets are suitable for situations where there is no fixing or unsuitable fixing in the lintel for the standard spring anchor bracket.
2. Doors wider than 3000mm will still require minimal fixing to allow the standard bracket to be fitted to support the torsion shaft and prevent it from sagging.



R/H installation for B&D
Panelift PPF doors



R/H installation for all B&D
tongue and groove type panels