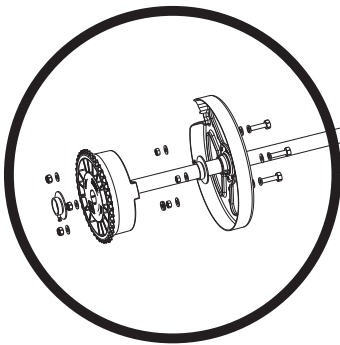


installation steps

1. Position door for clear access to the end of the axle and drum.
2. Remove axle clamp assembly.
3. Fit large washer and lock ring and tighten set screw (this prevents end float).
4. Fit m10 bolts secured with washers, a spring washer and a nut.
5. Fit 43T plastic sprocket and check alignment.
6. Pack with washers as necessary.
7. Secure 43T sprocket with washers and nyloc nuts.

SEE
DETAIL
A



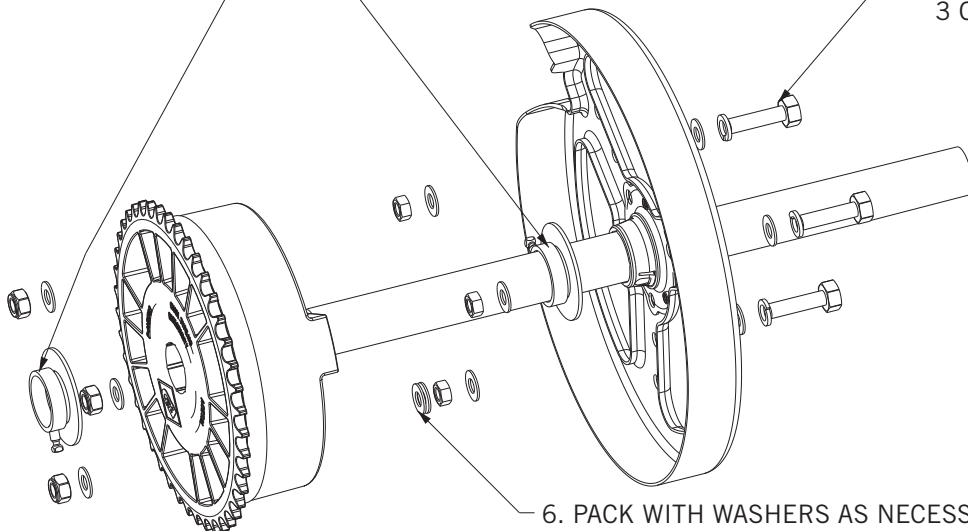
2. REMOVE AXLE CLAMP ASSEMBLY



A

3. LARGE WASHER & LOCK RING
MOUNT INSIDE OR OUTSIDE

4. M10x1.5x40 BOLT
3 OFF



6. PACK WITH WASHERS AS NECESSARY