

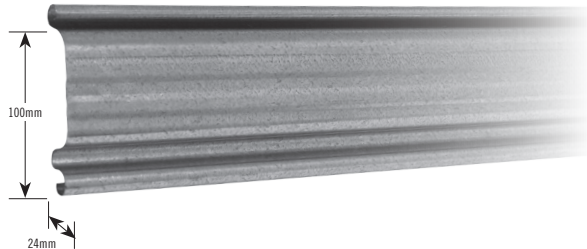
Roll-A-Shutter®

8/100 – INDUSTRIAL SLAT TYPE SHUTTER (RAS)



Designed for most general purpose allocations, medium size factory doorways. It is typically used in carparks, Counters, Kiosks & Bars, emergency service, restaurants, showrooms and supermarket entrances.

SLATS



0.8mm, continuous roll formed, interlocking, coated galvanised steel slats. Nominal effective pitch of 100mm. Zinc coating of not less than 275g/m².

SIZE

900mm to 6000mm (h) and 900mm to 7000mm (w).

BOTTOM RAIL

Extruded aluminium T section bottom rail. Top edge formed to interlock with the bottom slat of the shutter. Box section bottom rail used with wicket gate option.

Taper: Optional, Minimum taper 30mm. Maximum taper 150mm.

Weatherseal: Standard.

Wind rated: Optional (box rail required).

GUIDES

Steel channel, cold roll formed, 2.0mm steel, aluminium depth of 70mm.

Windlocking: Optional. Guides cold roll formed, 3.5mm steel, minimum depth 85mm, measuring 50mm across back, with 40mm x 12mm mild steel bar welded to inside surface of the guide.

DRUM

Steel tube drum, a minimum O.D of 168mm x 3.18mm wall thickness.

Designed so drum stress does not exceed 124MPa. Drum is fitted with bearings, mounted on a bright mild steel spindle with a minimum thickness of 35mm.

SPRINGS

Helical torsion type drum springs, made from spring steel wire conforming to AS1472.

Spring life 20,000 cycles.

DIRECT LIFT

Directly driven motor requiring no springs within the drum. Inclusive of a safety brake system.

Drive life of 100,000 cycles.

OPERATION

Manual, chain geared or power driven.

BRACKETS

Two piece bracket can be mounted inside or outside, or on either side of opening. 12mm mild steel construction.

LOCKING

Hand operated: Bottom rail shoot bolt.

Key locking: Fitted for aluminium bottom rail.

Locking bolts: For steel bottom rail only. Internal use only.

Options: No.

Internal and external slide bolts or key locking on aluminium bottom rails up to 4800mm wide.

FINISHES

Galvanised steel finish with all M/S components prime coated. Optional powder coat finish available when specified. Hauling chains shall be zinc passivated. Colorbond is optional.

OPTIONS

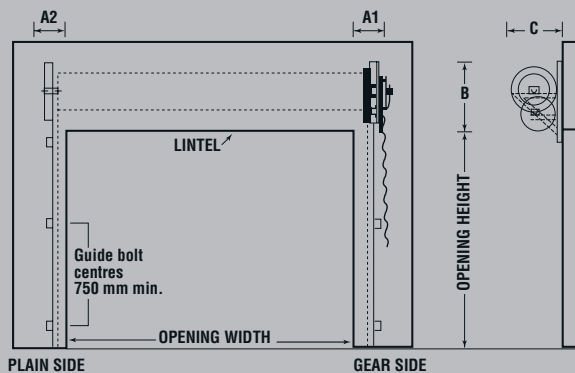
Ventilation: Optional. Slotted. Hole punched.

Mullions: Optional.

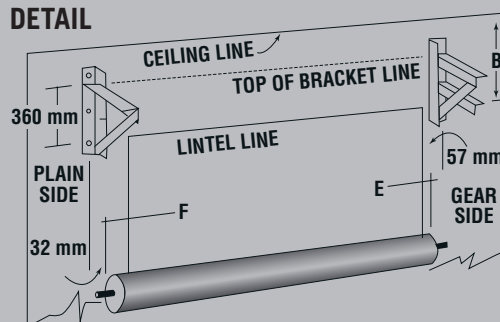
Personnel access: Optional.

- Wicket gates (inward opening) 1200mm (h) x 600mm (w).
- Escape gates (outward opening) 2030mm (h) x 1020mm (w).
- Access gate (inward opening) 2030mm (h) x 1020mm (w).

CLEARANCES



BRACKET BOLT FIXING DETAIL



FIXING

“D” = Door jamb opening to end of drum is 100mm.

“E” = measurement from end of drum (not the gear wheel) to the fixing bolt centre line – Gear side.

“F” = measurement from end of drum to the fixing bolt centre line – Plain side.

STANDARD PARAMETERS

Curtain width = Opening width + 120mm

Drum length = Opening width + 200mm

Axle length = Opening width + 700mm

DIMENSIONS

	A1	A2	B	B min	C	E	F	Approx Weight (Drums & Curtain)
Planetary Gear Drive for smaller doors under either 4500mm high or 4500mm wide								
2200mm x 2200mm	270mm	180mm	630mm	580mm	405mm	145mm	80mm	110kg
3000mm x 3000mm	270mm	180mm	680mm	630mm	455mm	145mm	80mm	160kg
3600mm x 3600mm	270mm	180mm	700mm	650mm	475mm	145mm	80mm	200kg

Information relating to product measurements, colours and specifications is accurate at the time of print and is subject to slight variations resulting from the manufacturing process. B&D reserves the right to change product specifications at any time. Installation measurements are approximate and may vary depending on application and other factors, including the opening and structure. Take care when handling and storing slats. Damage to the slats can affect door performance.

Installation should only be performed by a professional garage door installer. Installers should refer to the instruction manual for this product prior to commencing installation. The instruction manual contains important safety and other information that must be followed when installing the product.



Doors & Openers®

THERE'S SO MUCH MORE BEHIND A B&D DOOR

Call 13 62 63 or visit www.bnd.com.au for further information.

B&D Doors is a division of B&D Australia Pty Ltd ABN 25 010 473 971 © 2013 B&D Australia