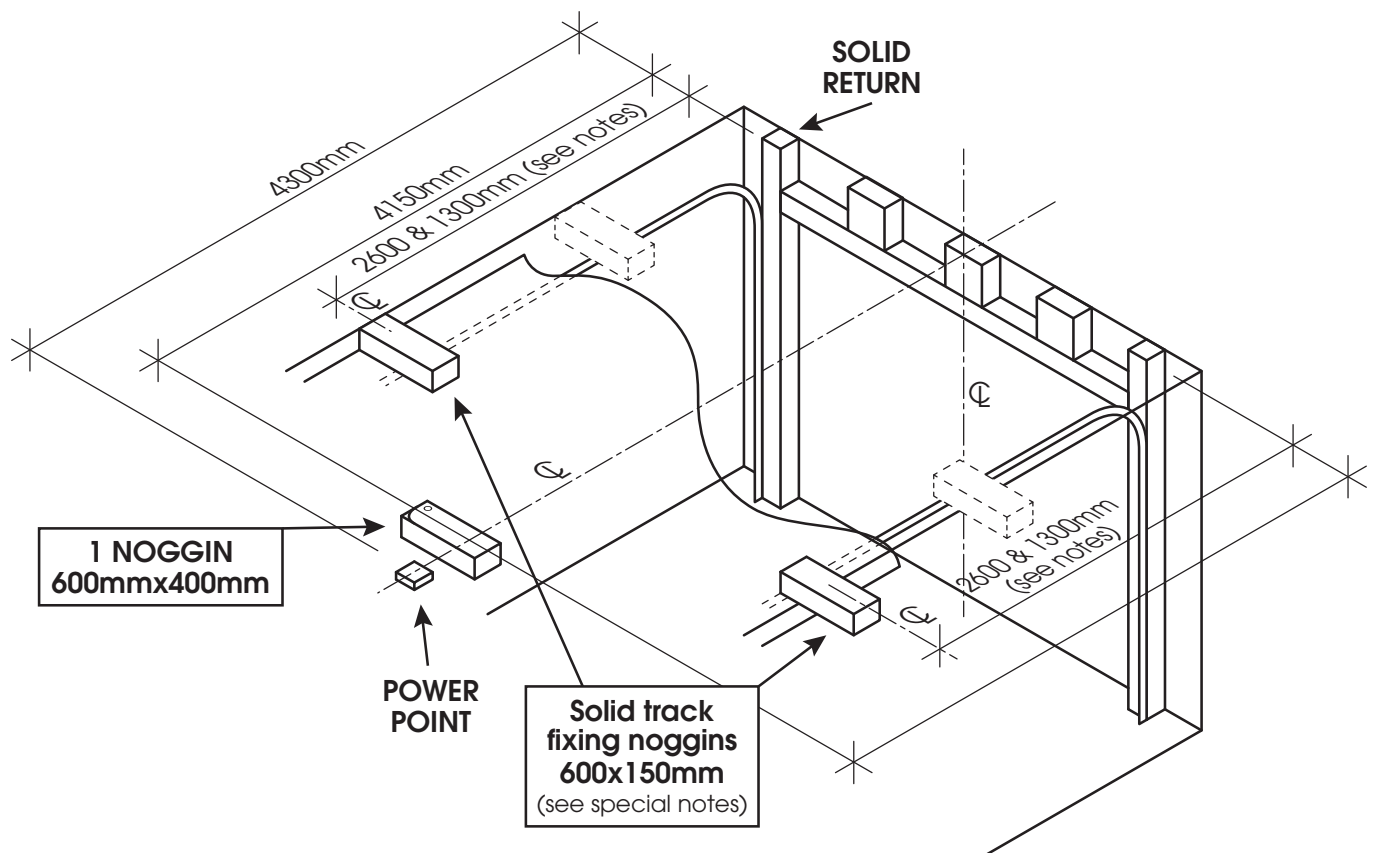
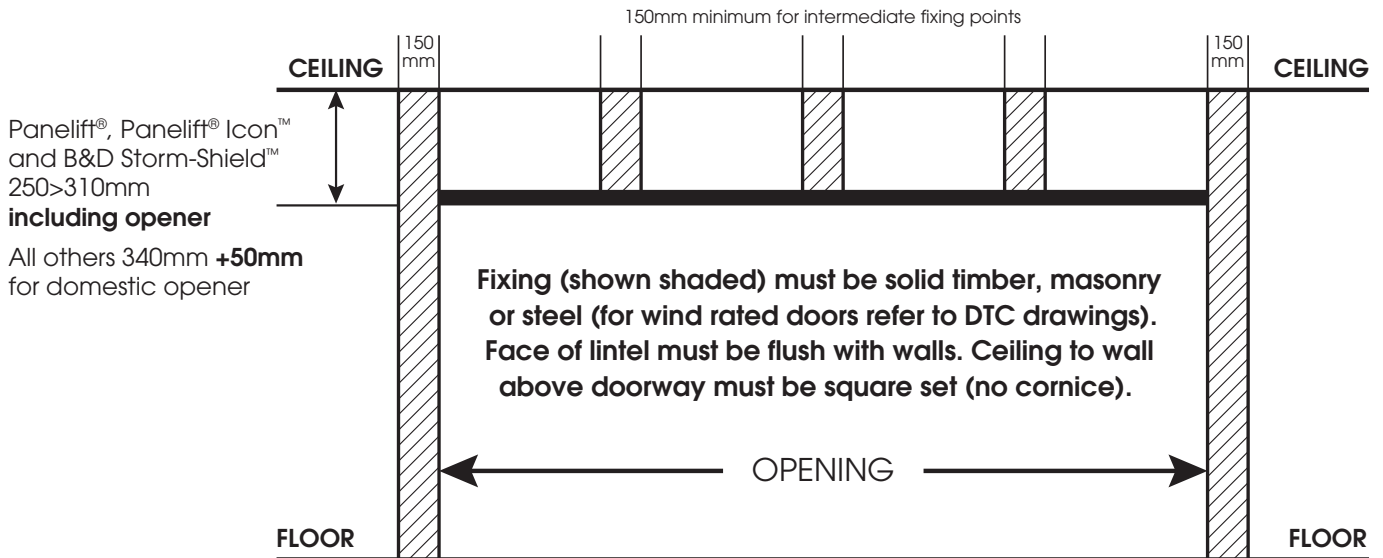


# sectional door (page 2)

## structural fixing detail

For all B&D Sectional overhead doors over 2405mm high up to 3190mm high.  
For higher or non standard doors consult your B&D representative.

Please follow diagram for correct installation



**NOTES:** Doors higher than 2405mm high up to 3190mm high and all wind rated, insulated or special P7D doors will require two intermediate fixings at 1300mm.