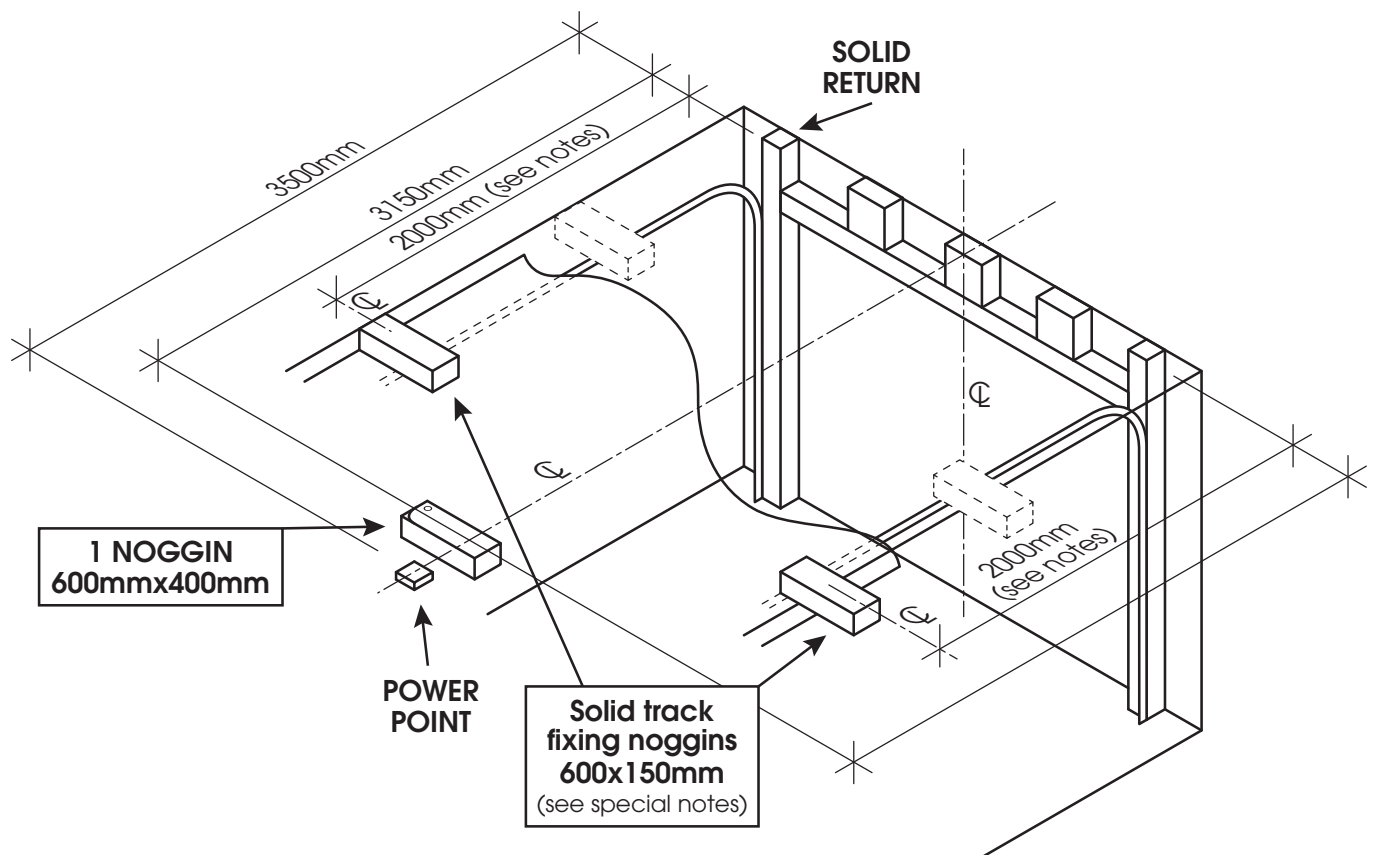
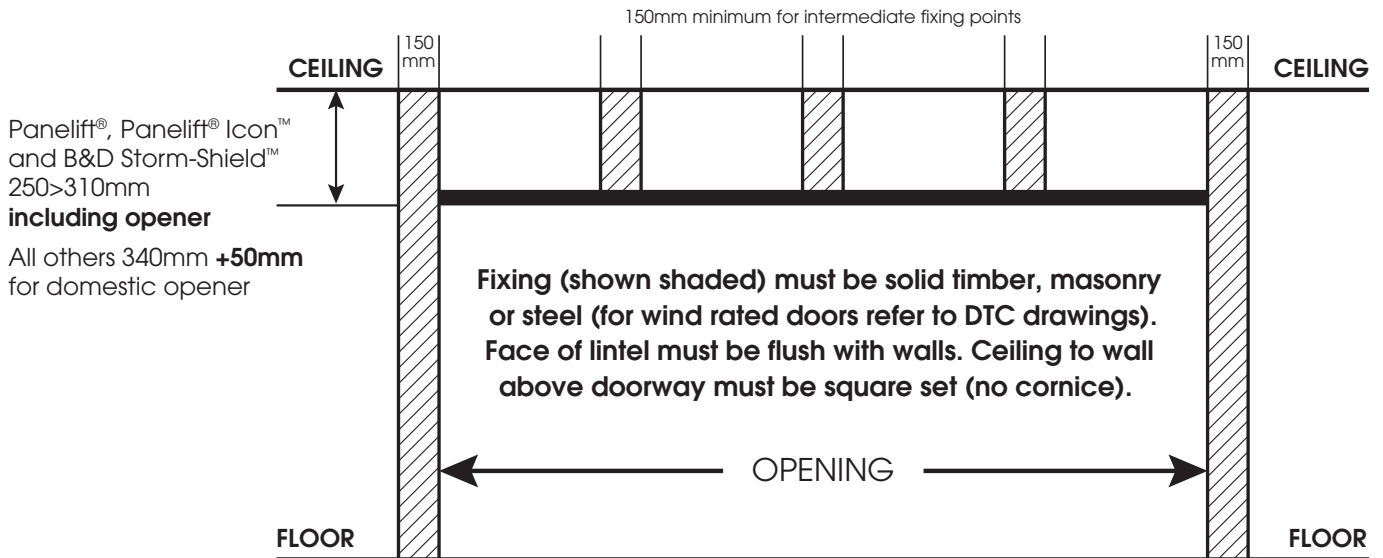


sectional door (page 1)

structural fixing detail

For all B&D Sectional overhead doors up to 2400mm high x 7620mm wide. For higher doors refer to page 2 or for non standard doors consult your B&D representative.

Please follow diagram for correct installation



NOTES: Doors higher or wider than 2285mm high x 5200mm wide and all wind rated, insulated or special P7D doors will require two intermediate fixings at 1000mm (see page 2 for other sizes).