



# EMB-A-SEAL KIT SECTIONAL OVERHEAD GARAGE

Part No. OT5494 / OT5496

## PARTS REQUIRED

For a door to 3.0m high and 3.0m wide

3 x OT5494

3 x OT5496

Suitable to attach every 3-400mm these are not supplied.

For doors to 6.0m wide an additional OT5494 and OT5496 will be required.

A silicon sealant may be required if fitting to uneven surfaces.

Wider doors will require multiples of these parts.

### STEP 1

When installing the door, a 16mm -17mm gap is required between the door and the jamb.

### STEP 2

Open the door.

### STEP 3

Cut the 25mm brush seal and F-carrier extrusion to suit the door opening height. Crimp the ends of the carrier slightly to keep the brush seal from sliding out.

### STEP 4

Place the 25mm brush seal and F-carrier extrusion onto the wall between the door and the jamb. The flat section on the carrier should face away from the door opening.

### STEP 5

Attach the seal assembly to the back of the jamb. Adjust position so that when the door closes the seal is just touching the door or at worst, the gap remaining is less than 1mm (see fig 1).

**Note:** If the seal presses too hard against the door, damage may occur to the door surface coating over a period of time.

### STEP 6

Repeat for the other side.

### STEP 7

Repeat steps 3 to 5 for door lintel using 25mm brush seal and F carrier extrusion. Ensure there is no gap where the 25mm seal meets the 25mm seals in the corners of door opening (see fig 2).

### STEP 8

Open and close the door checking for smooth operation. Adjust the tracks if required. Seal any gaps between the aluminium carriers and brickwork larger than 1mm using an outdoor grade high temperature gap sealant.

### STEP 9

If an automatic opener is fitted, adjust sensitivity if necessary.

**Important Note:** These seals will only comply to BAL requirements if installed correctly. IT IS THE INSTALLERS RESPONSIBILITY TO ENSURE CORRECT INSTALLATION and to ensure gaps of 1mm or more are eliminated. Check seals periodically for gaps larger than 1mm. Adjust position of carriers or door if required.

Fig. 1

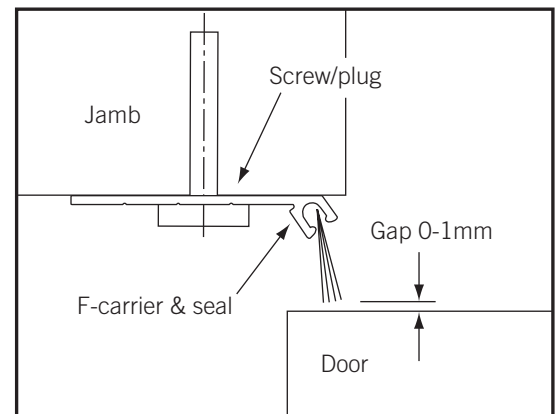


Fig. 2

