

**General Care**

**Mandatory Levels**

**Schlegal**

**High Wind Compliance**



# General Care.

for your b&d door

## COLORBOND® and coloured steel finish doors

Your B&D coloured steel door has been pre-painted with a silicone modified polyester formulation.

## powder coat, Luxe™ and timber look finish doors

However good a product may be, all exposed surfaces require some attention to guard against corrosion and any other harmful atmospheric effects. We recommend washing the door with clean water and a soft brush or cloth every 14 days. If your door is exposed to corrosive elements such as industrial fallout, or is located in close proximity to salt water, more frequent washing is advised.

REMEMBER, WHEN YOU THINK OF CLEANING YOUR CAR, THINK OF WASHING YOUR DOOR.

**NOTE:** DO NOT WASH THE AUTOMATIC OPENER, IT COULD VOID THE MANUFACTURER'S WARRANTY AND COULD CAUSE ELECTROCUTION.

## natural timber doors

If the door is left untreated, the timbers will weather and gradually deteriorate. We recommend against coating the door with a very dark finish as this can have the effect of attracting excessive heat and may result in premature deterioration of the timber. Occasional washing of the door with clean water is recommended.

- 1. Craftpanel & Timberpanel:** Should be treated/stained/oiled/painted within 7 days of delivery to installation site with a suitable timber finish, following manufacturer's directions for application. Inside of door and edges should also be treated, though will not require as much protection as the outside. If your door has any water marks these should be removed, by lightly sanding, before finish is applied. Periodic re-treatment will be required as per manufacturer's recommendations.
- 2. Cedarpanel:** Should be treated/stained/oiled/painted within 3 months of delivery to installation site with a suitable timber finish, following manufacturer's directions for application.

## regular maintenance required

**NOTE:** IF CORRECT MAINTENANCE AND SERVICING ARE NOT CARRIED OUT, THE B&D PRODUCT WARRANTY MAY BE VOID.

B&D recommends that you check the operation of your B&D door at least every three to six months (more regularly in extreme environments or frequent use). The effort required to manually open and to manually close the door should be about the same (if door has an automatic opener, put into manual mode before testing door).

## lubrication (every 3-6 months)

- 1. Guide Tracks (Rolling Doors):** Clean the internal sections of the guide tracks with a cloth dampened with mineral turps or methylated spirits. Polish vigorously to achieve a smooth, dirt and moisture resistant surface, allowing the Nylofelt to glide more easily.

DO NOT USE GREASE OR OIL ON THE GUIDE TRACKS.

**Guide Tracks (Roll-A-Shutter):** Clean the internal section of the guide tracks by removing old grease. Re-grease the internal of the guide with general purpose grease to the back and front face.

**Guide Tracks (Sectional Doors):** Should be cleaned as per rolling door instructions, but do not require polishing of the internal guide tracks.

- 2. Steel Hinges (If fitted):** Sparingly lubricate with an all-purpose machine oil. Also lubricate wheel to axle bearings.
- 3. Plastic Hinges:** No lubrication is generally required; however lithium grease can be used sparingly or silicon spray may be used if necessary.
- 4. Springs:** If accessible wipe over with an oily rag.
- 5. Locks:** Your lock does not require special maintenance, however if the key becomes stiff, a spray lubricant such as RP7 is recommended. Do not grease the lock.
- 6. Automatic Openers:** If you have an automatic opener fitted to our door it is important that you ensure the optimum operation of your door, otherwise you may reduce the effective life of the opener, and void your opener's manufacturer's warranty. For more information refer to the maintenance schedule in your opener's instruction handbook.

for your b&d door

## service & repair

- 1. Lifting Cables:** (If fitted). Check for wear through by rubbing. If there is fraying or signs of corrosion contact B&D Doors or an approved dealer. (These cables are under extreme tension and should never be adjusted, except by B&D Doors or Approved B&D Dealers).
- 2. Fasteners:** Check all screws, nuts and bolts to ensure they are secure.
- 3. Spring Tension:** It is natural for springs to lose tension. Should the door become hard to operate or completely inoperative, contact your local B&D office, or call the B&D dealer who installed your door. To keep your door running well, it is recommended that your door be serviced by an experienced technician, every year or earlier if required.

## WARNING!

**The spring unit is under tension at all times and may cause serious injury if interfered with by an inexperienced person. Adjustments and repairs should be carried out by B&D Doors or Approved B&D Dealers using proper tools. No operator or other person should ever stand directly in the path of the door in its downward travel or walk through doorway while door is moving. Always use the door handle or pull rope to manually operate the door. If the door is already automated or later becomes automatically operated, the pull down rope on the door must be removed.**

**DO NOT PLACE YOUR FINGERS NEAR ANY MOVING PARTS OR BETWEEN THE DOOR PANELS WHEN THE DOOR IS OPERATING EITHER AUTOMATICALLY OR MANUALLY.**



# Mandatory Levels.

## garage door design and construction

**NOTE: Mandatory levels of garage door design and construction should be checked with Australian Standard AS 3959-2009.**

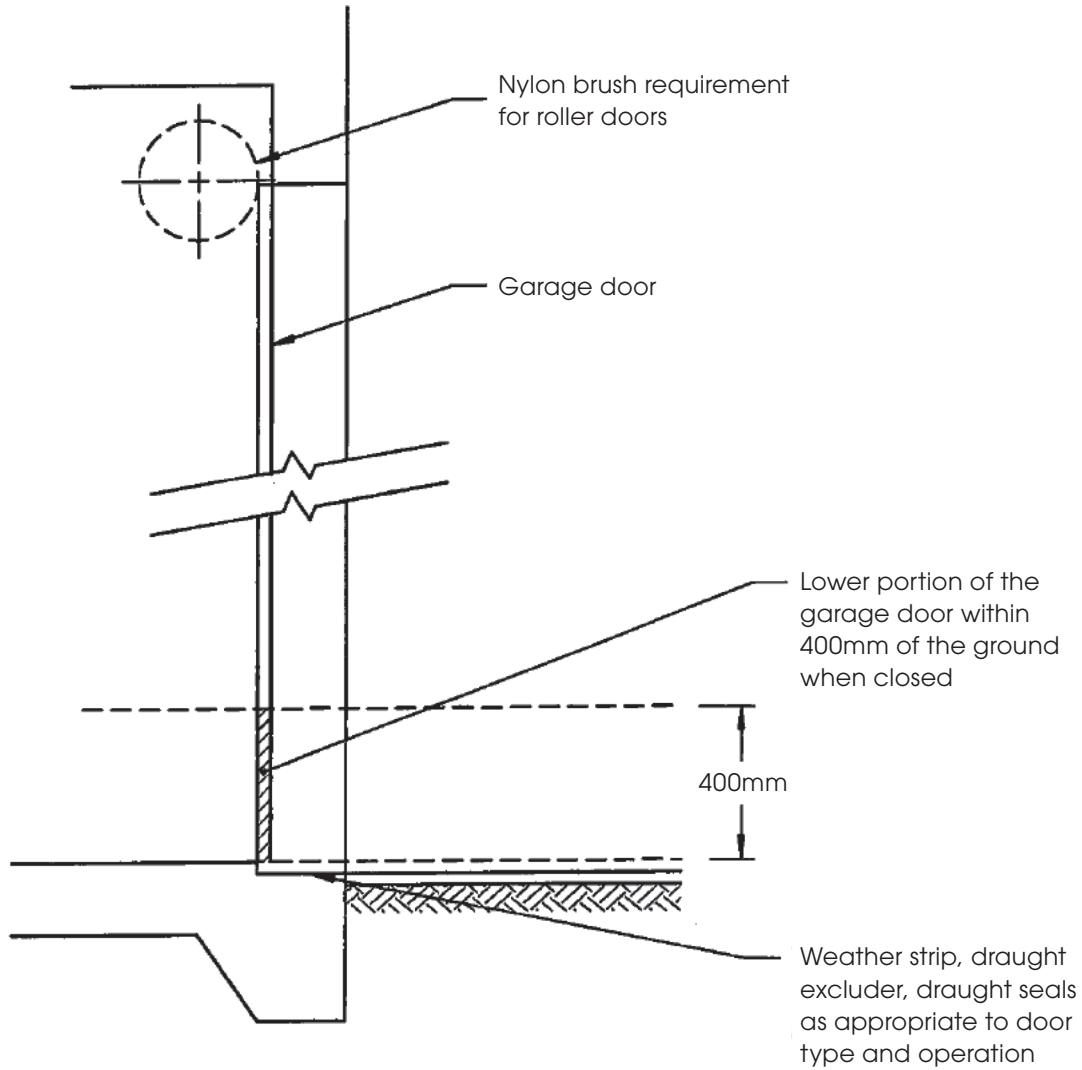
BAL-12.5	BAL-19	BAL-29	BAL-40	BAL-FZ
<b>GARAGE DOORS - The following apply to vehicle access doors</b>				
<p>(a) The lower portion of a vehicle access door that is within 400 mm of the ground when the door is closed shall be made from:</p> <ul style="list-style-type: none"> <li>(i) non-combustible material; or</li> <li>(ii) bushfire-resisting timber; or</li> <li>(iii) fibre-cement sheet a minimum of 6 mm in thickness; or</li> <li>(iv) a timber species as specified; or</li> <li>(v) a combination of any of Items (i), (ii), (iii) or (iv) above.</li> </ul> <p>(b) Panel lift, tilt doors or side-hung doors shall be fitted with suitable weather strips, draught excluders, draught seals or guide tracks, as appropriate to the door type, with a maximum gap no greater than 3 mm.</p> <p>(c) Roller doors shall have guide tracks with a maximum gap no greater than 3 mm and shall be fitted with a nylon brush that is in contact with the door.</p> <p>(d) Vehicle access doors shall not include ventilation slots.</p>	<p>(a) The lower portion of a vehicle access door that is within 400 mm of the ground when the door is closed shall be made from:</p> <ul style="list-style-type: none"> <li>(i) non-combustible material; or</li> <li>(ii) bushfire-resisting timber; or</li> <li>(iii) fibre-cement sheet a minimum of 6 mm in thickness; or</li> <li>(iv) a timber species as specified; or</li> <li>(v) a combination of any of Items (i), (ii), (iii) or (iv) above.</li> </ul> <p>(b) Panel lift, tilt doors or side-hung doors shall be fitted with suitable weather strips, draught excluders, draught seals or guide tracks, as appropriate to the door type, with a maximum gap no greater than 3 mm.</p> <p>(c) Roller doors shall have guide tracks with a maximum gap no greater than 3 mm and shall be fitted with a nylon brush that is in contact with the door.</p> <p>(d) Vehicle access doors shall not include ventilation slots.</p>	<p>(a) Vehicle access doors shall be made from:</p> <ul style="list-style-type: none"> <li>(i) non-combustible material; or</li> <li>(ii) bushfire-resisting timber; or</li> <li>(iii) fibre-cement sheet, a minimum of 6 mm in thickness; or</li> <li>(iv) a combination of any of Items (i), (ii) or (iii) above.</li> </ul> <p>(b) Panel lift, tilt doors or side-hung doors shall be fitted with suitable weather strips, draught excluders, draught seals or guide tracks, as appropriate to the door type, with a maximum gap no greater than 3 mm.</p> <p>(c) Roller doors shall have guide tracks with a maximum gap no greater than 3 mm and shall be fitted with a nylon brush that is in contact with the door.</p> <p>(d) Vehicle access doors shall not include ventilation slots.</p>	<p>(a) Vehicle access doors shall be non-combustible.</p> <p>(b) Panel lift, tilt doors or side-hung doors shall be fitted with suitable weather strips, draught excluders, draught seals or guide tracks, as appropriate to the door type, with a maximum gap no greater than 3 mm.</p> <p>(c) Roller doors shall have guide tracks with a maximum gap no greater than 3 mm and shall be fitted with a nylon brush that is in contact with the door.</p> <p>(d) Vehicle access doors shall not include ventilation slots.</p>	<p>(a) Vehicle access doors shall be non-combustible.</p> <p>(b) Where the garage is attached to the building, the requirements of Clause 3.2.2(b) shall apply.</p> <p>(c) Panel lift, tilt doors or side-hung doors shall be fitted with suitable weather strips, draught excluders, draught seals or guide tracks, as appropriate to the door type, with a maximum gap no greater than 3 mm.</p> <p>(d) Roller doors shall have guide tracks with a maximum gap no greater than 3 mm and shall be fitted with a nylon brush that is in contact with the door.</p> <p>(e) Vehicle access doors shall not include ventilation slots.</p>



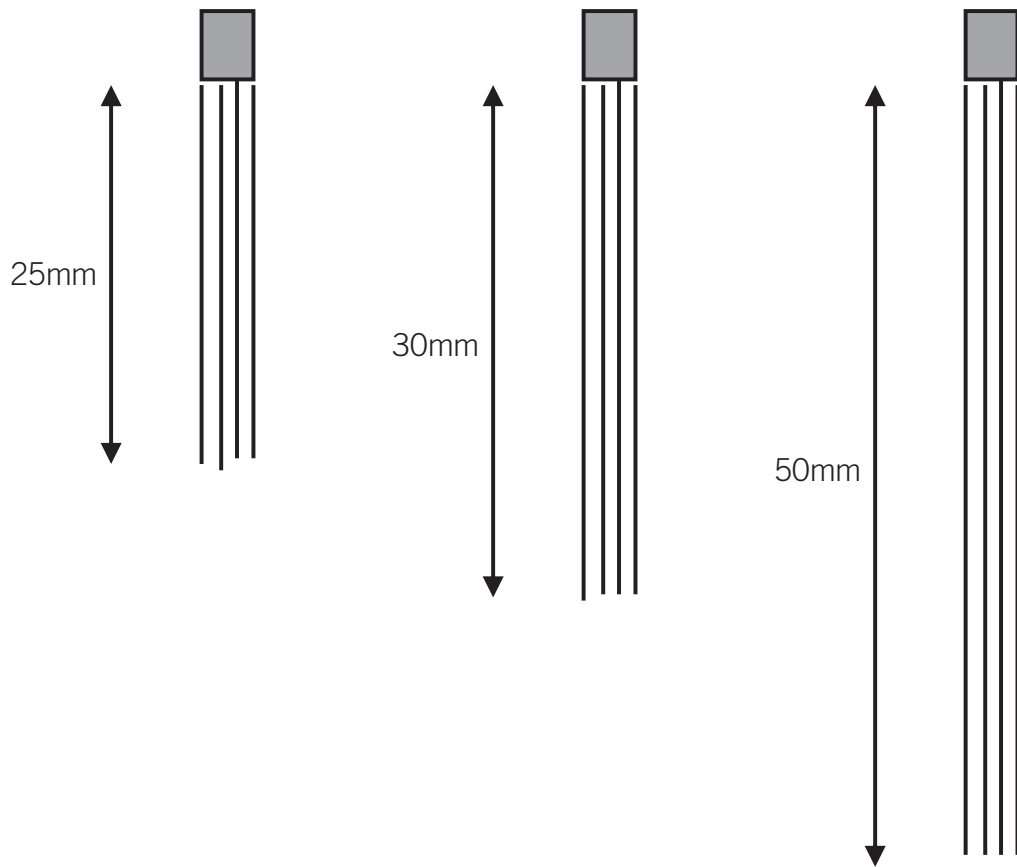
# Mandatory Levels.

garage door design and construction

## garage door



flame retardant bristle brush



<b>FLAME RETARDANT</b>	Polyamid 6 - Type (V-0) with Halogen and Phosphate free
<b>FILAMENT SIZE</b>	0.20mm +/- 0.03mm ISO 9002Z
<b>COLOUR</b>	Black
<b>BURNING BEHAVIOUR</b>	PA6 Grade tested to UL94 E86615 UL 94/ISO 1210 0.75/1.5mm V-0/V-0
<b>BURNING RATE</b>	FMVSS 302/ISO 3795 < 100mm/min
<b>HEAT DEFLECTION TEMPERATURE</b>	(HDT) 80°C Af ( @ 1.8MPa ) ISO75
<b>VICAT SOFTENING TEMPERATURE</b>	A50 (1QN) 200°C ISO306 B50 (5QN) 205°C ISO306
<b>MELT TEMPERATURE</b>	250-270°C
<b>MOULD TEMPERATURE</b>	60-90°C
<b>FLASH POINT</b>	>400°C
<b>UV RESISTANCE</b>	UV Stabilised
<b>STABILITY &amp; REACTIVITY</b>	Avoid contact with strong acids/chemicals/alkalis/oxidants

**TYPE PA6 NYLON COLOUR BLACK 20 MICRON UV STABILISED RIGID GALVANISED BACKING**



# High Wind Compliance.

b&d doors and openers

## COMPLIANCE

### PLEASE ENSURE YOU ARE COMPLYING TO THE LATEST DETAILS

We have also been granted DTCM certification for the below B&D products in accordance with the National Construction Code. To download the latest DTCM drawings and compliance certificates visit the product page on our website [www.bnd.com.au](http://www.bnd.com.au)

**Series 1 (RID, RIF, RIR, RIM, RIME)**

**Series 2 (R2I, R2W)**

**Storm-Shield, Windpanel Tracklock (WTG 2, 3, 4)**

**Roll-A-Shutter (6/100, 8/100, 10/100, 12/100)**

The NT Deemed To Comply Manual (DTCM) is referenced in the Building Code of Australia.