



Roll-A-Door Squareline Deluxe Style



Squareline
Deluxe Profile

Description:

The Squareline™ Deluxe style is a steel rolling overhead garage door with square profile. It has a unique mini-groove top sheet which helps protect the door's paint finish and assists in consistent performance.

The rolling garage door is made up of a steel, ribbed curtain that moves vertically in the opening, then rolls up around a drum above the opening, guided by tracks and counterbalanced with springs.

Profile:

Model	Series 1 Deluxe
Model Code	R1D
Coil Thickness	0.4mm
Max Door Height	3000mm
Max Door Width	3150mm
Locking	Centre lift lock
Drum Type	S1 castellated
Taper Option	Yes
High Wind Option	Yes

Size range:

Available in sizes from 1250mm to 3000mm in height and from 1250mm to 3150mm in width.

For wider openings we have the Wideline range.

Features:

- Nylofelt® running strips ensure smooth, quiet, greaseless operation.
- Precision springing and castellated drum ensures consistent balance.
- Steel door stops, with buffers for added safety and quietness.
- Mini-groove top sheet - helps reduce chances of paint rub.
- Weatherseal with deep cushioning, helps restrict entry of water and leaves.
- Waist height centre lift lock with double bar locking action for extra security.
- New, sleek "D" shaped handle, conveniently located to assist you with opening and closing.
- Centre lift lock has a deep finger recess externally and turn knob internally for easier operation.
- When closed, curtain covers axle and springs on the inside of door, unlike some competitor's doors.
- The curtain separator gives more separation to avoid paint rub.
- Guide block and double roller for smooth, quiet operation.
- Springs designed to comply with requirements of Australian Standards - 20,000 cycles.

Colours/finishes:

Available in:

- Extensive range of COLORBOND® colours plus Zinalume® finish (see colour chart for details).

Options:

- Tapers - for garage floors that slope across the opening.
- Perforations for ventilation.
- Removable mullions for wide openings.
- Alternative lock positions suitable for servery door.
- High wind option.



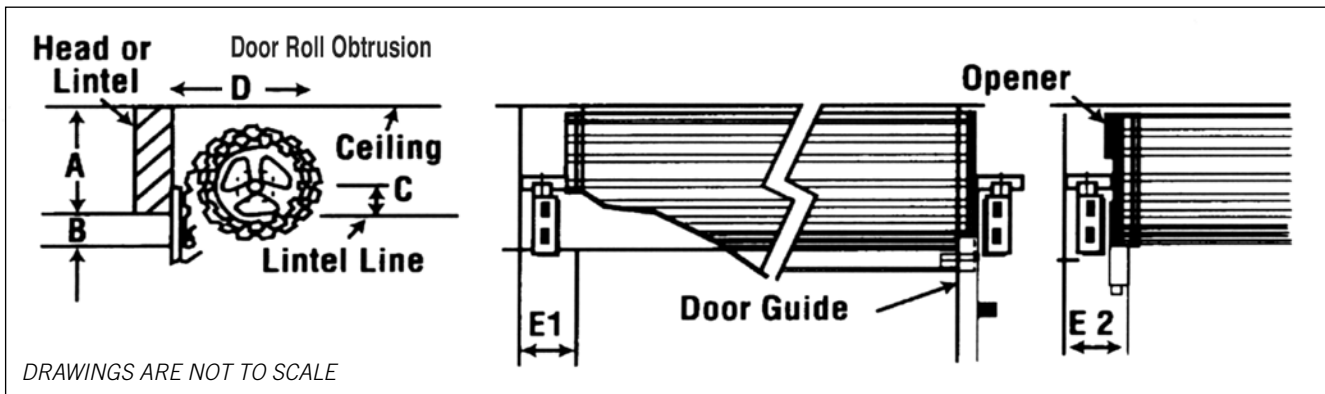


Installation requirements:

INSTALLATION CLEARANCES

Heights	Headroom						Sideroom		
	Recommended				Restricted		E1	E2 (with opener)	
	A	B	C	D	A	C		LH	RH
Up to 2200	350	80	120	460	315	85	100	110-160	118-168*
2201 to 3000	370	80	120	480	335	100			

All measurements are in millimetres and are minimum unless otherwise shown. * Includes standard door overlap.



Notes / Information:

- A) For areas within one kilometre of a corrosive environment eg. salt air or industrial fallout, special care and maintenance are generally required for metal products. Consult B&D Doors or your B&D Dealer for advice.
- B) Roll-A-Door doors, in normal residential and industrial/commercial use, are covered by a 7 year warranty for steel door curtain, covering steel cracking and lock seam failure and associated labour, 12 months on surface coating, locking mechanism and all other components and all associated labour (excludes salt corrosion), conditional on proper care, as recommended in the door's handbook. Full details of the warranty are available from www.bnd.com.au. Warranty only applies to doors purchased and installed in Australia or New Zealand. Warranty only valid if warranty conditions are met.
- C) The company reserves the right to make changes or improvements to the products or accessories without notice and without incurring any obligation to make similar changes or improvements to goods previously ordered.
- D) Prefixed Trademarks are trademarks of B&D Australia Pty. Ltd. Abuse of these trademarks may result in legal action.
- E) COLORBOND® and Zincolume® are registered trademarks of BlueScope Steel Limited.
- F) B&D products have many patents and registered designs applicable.
- G) While BlueScope Steel is our preferred supplier, steel products from other sources may also be used.
- H) Details correct at date of publication. Specifications subject to change without notice.

